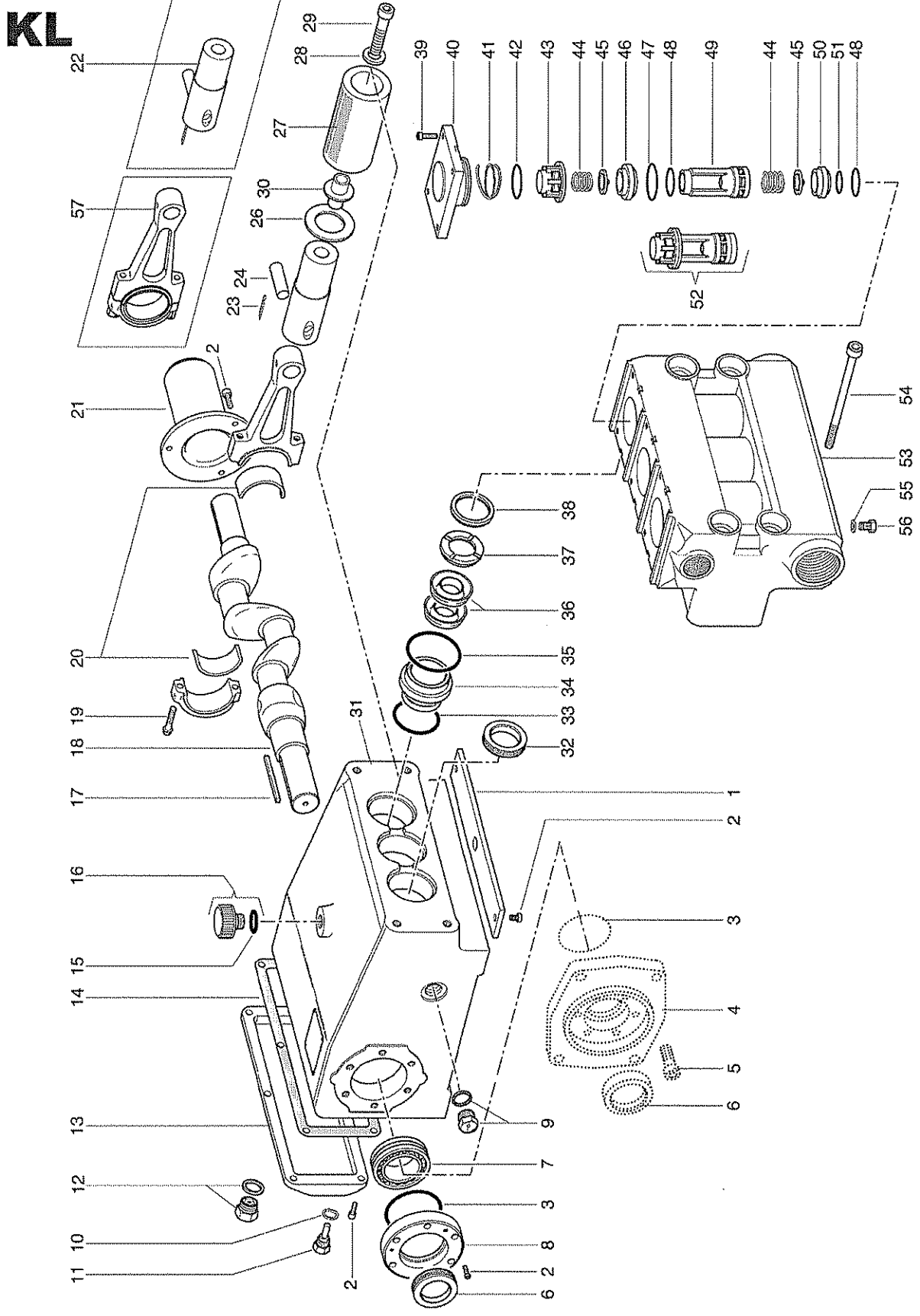


16. EXPLODED VIEW AND PARTS LIST



GENERAL PUMP A member of the Interpump Group

KL SERIES

Item	Part #	Description	QTY.
1	F040000130	Lower cover	1
2	F871115153	Screw, M 6 x 16	17-23
3	F881013100	O-ring Ø 80 x 2.5	2
4	F010100050	Hydraulic motor flange (Type A)	1
	F010100040	Hydraulic motor flange (Type B)	1
5	F871125154	Screw, M 10 x 30	6
6	F881080014	Oil seal Ø 40 x 60 x 10	2
7	F811110002	Bearing	2
8	F063400100	Bearing cover	1-2
9	F801053002	Oil level indicator G 1/2"	1
10	F872043001	Aluminum washer Ø 3/8"	1
11	F801057001	Magnetic plug G 3/8"	1
12	F801053003	Oil level indicator G 3/4"	1
13	F063400120	Back cover	1
14	F080600000	Back cover gasket	1
15	F881011153	O-ring Ø 18 x 3	1
16	F801054002	Oil filling plug G 1/2"	1
17	F071000030	Key	1
18	F050000030	Crankshaft	1
19	F871350002	Connecting rod screw	6
20	F812000002	Brass bearing	3
21	F040400010	Crankshaft end cap	1
22	F250001020	Plunger guide assembly	3
23	F872138010	Retainer pin Ø 2.5 x 22	3
24	F071000020	Wrist pin Ø 20	3
26	F041200000	Wiper	3
27	F024200090	Plunger KL30	3
	F024200100	Plunger KL33	3
	F024200110	Plunger KL36	3
	F024200120	Plunger KL40	3
	F024200130	Plunger KL45	3
	F024200140	Plunger KL50	3
28	F872040003	Washer Ø 12 Spec.	3
29	F871131518	Screw M12 x 110 inox KL30-33-26-40	3
	F871131509	Screw M 12 x 60 inox KL45-50	3
31	F060100120	Crankcase	1
	F060100130	Crankcase, hydraulic	1
32	F881081002	Oil Seal Ø 38 x 52 x 7 Spec.	3
33	F881010012	O-ring Ø 50.52 x 1.78	3
34	F022300090	Packing support KL30	3
	F022300100	Packing support KL33	3
	F022300110	Packing support KL36	3
	F022300120	Packing support KL40	3
	F022300130	Packing support KL45	3
	F022300140	Packing support KL50	3
35	F881010011	O-ring Ø 47.34 x 1.78 KL30	3
	F881010012	O-ring Ø 50.52 x 1.78 KL33-36-40	3
	F881010013	O-ring Ø 56.87 x 1.78 KL45-50	3
36	F881020008	Pressure packing KL30	6
	F881020009	Pressure packing KL33	6
	F881020010	Pressure packing KL36	6
	F881020011	Pressure packing KL40	6
	F881020012	Pressure packing KL45	6
	F881020013	Pressure packing KL50	6

Item	Part #	Description	QTY.
37	F031200070	Packing ring KL30	3
	F031200080	Packing ring KL33	3
	F031200090	Packing ring KL36	3
	F031200100	Packing ring KL40	3
	F031200110	Packing ring KL45	3
38	F031300000	Spacer KL30	3
	F031300010	Spacer KL33	3
	F031300020	Spacer KL36-40	3
	F031300030	Spacer KL45-50	3
39	F871121954	Screw M 8 x 25 Spec.	12
40	F063300020	Valve cover	2
	F063300040	Valve cover G 1/4"	1
41	F881112001	Anfi-extrusion ring	3
42	F881010214	O-ring Ø 49.21 x 3.53 Spec.	3
43	F021300010	Delivery valve guide	3
44	F090200020	Valve spring	6
45	F082200020	Valve poppet	6
46	F081200030	Delivery valve seat	3
47	F881011160	O-ring Ø 50.50 x 3 Spec.	3
48	F881011157	O-ring Ø 36 x 3 Spec.	6
49	F021300370	Suction valve guide KL30-33	3
	F021300320	Suction valve guide KL36-40-45-50	3
50	F081200020	Suction valve seat	3
51	F881010010	O-ring Ø 25.12 x 1.78 Spec.	3
52	F208004660	Valve assembly KL30-33	3
	F208004670	Valve assembly KL36-40-45-50	3
53	F064100390	Manifold KL30	1
	F064100130	Manifold KL33	1
	F064100150	Manifold KL36-40	1
	F064100180	Manifold KL45-50	1
54	F871141169	Screw M 16 x 150	4
55	F872043000	Aluminum washer Ø 1/4"	3
56	F084390000	Brass Plug G 1/4"	3
57	F250000050	Connecting rod assembly	3

REPAIR KITS

Item	KL30	KL33	KL36	KL40	KL45	KL50
25-33-35-36 (37)	F1052	F1053	F1054	F1055	F1056	F1054
41-42-47-48-51-55	F1058					
3-6-10-14-15-23-28-32-33-35 36-(37)-41-42-47-48-51-55	F1059	F1060	F1061	F1062	F1063	F1064