

# Garden Hose CART REEL

## Life Just Got Easier



Hose and spray nozzle not included.

### Model GH164-CT

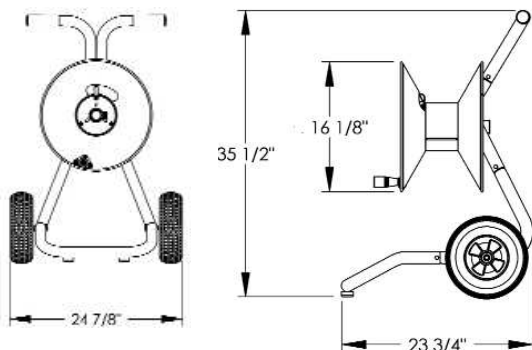
Sleek, attractive and mobile, the cart reel is a popular choice for those who are looking for an alternative to wall-mount reels. An innovative design elevates the reel to a comfortable rewinding height and features no-tip stability with ultra-easy mobility.

#### Technical Specifications:

5/8" Capacity .....	150 ft.
3/4" Capacity .....	100 ft.
Max. Temperature .....	190°F
Max. Pressure .....	200 PSI
Box Dimensions .....	21" H x 18" W x 20" D
Ship Wt. ....	42 lbs.
Pallet Qty. ....	12 reels
Warranty .....	2 Years



#### Dimensions:



#### Available Colors:

- Hunter Green
- Black
- Almond

UPC Code:  
701600-002349

UPC Code:  
701600-001878

UPC Code:  
701600-001960

#### Features:

##### Dual Grip Handlebar

Comfortable, two-handed control and a balanced design makes the model GH164-CT extremely easy to maneuver for almost anyone.

##### Rugged Tubular Steel Frame

Made from durable 1-1/2" tubular steel, this frame offers strength far superior to traditional plastic or light-duty metal designs.

##### Weather Resistance

Containing special agents for extreme durability, our high grade, powder-coat paint is baked to the steel in a 400°F oven, creating a hard, smooth finish that stays attractive for years.

##### Swivel

With a "full-flow" design, solid machined brass, and smooth-action, ball-bearings, this 3/4" swivel has a life expectancy exceeding 10 years!



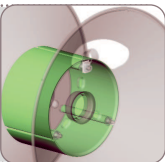
##### 4 ft. Inlet Hose

Used to attach the reel to the spigot, this 3/4" Goodyear® Horizon™ hose features crush-proof machined brass fittings, weather resistant EPDM rubber, and reinforced spiral synthetic yarn.



##### Solid Surface Drum

A durable steel drums provide a smooth, circular surface for your hose to wrap around. No sharp corners, bends or openings. Extends hose life and allows for easy, even wrapping of the hose.



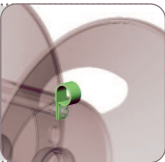
##### Smooth Spin Bushings

Pressed between the reel and the axle, these durable, long-life bushings will keep your reel spinning smoothly for years. Completely maintenance-free.



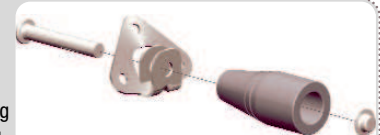
##### Loop-n'-Clamp Design

This innovative method of securing the hose to the reel extends the life of both the hose and reel by protecting the swivel and hose fittings from hard pulls.



##### Comfort Grip Handle

Riding on a solid steel shaft, this free spinning handle makes winding the reel easy. Made from a high-strength material, this full-palm handle is virtually unbreakable.



**FLORIDA WATER BLAST, INC.**  
1-800-966-0614

Made in USA

